

DETAIL C
SCALE 2.2

MATERIAL: 6061 ALUMINUM ALUMINUM JIG PLATE

DIA. = in mm

THICKNESS = 1/4" 3/8" 1/2" 3/4" 1"

THREAD = 1/4-20 M6x1 OTHER

HOLE SPACING = 1" 25mm OTHER

FINISH: BRUSHED CLEAR ANODIZE BLACK ANODIZE


NOTES:

[CLICK HERE TO SEND
TO GET A QUOTE FAST](#)

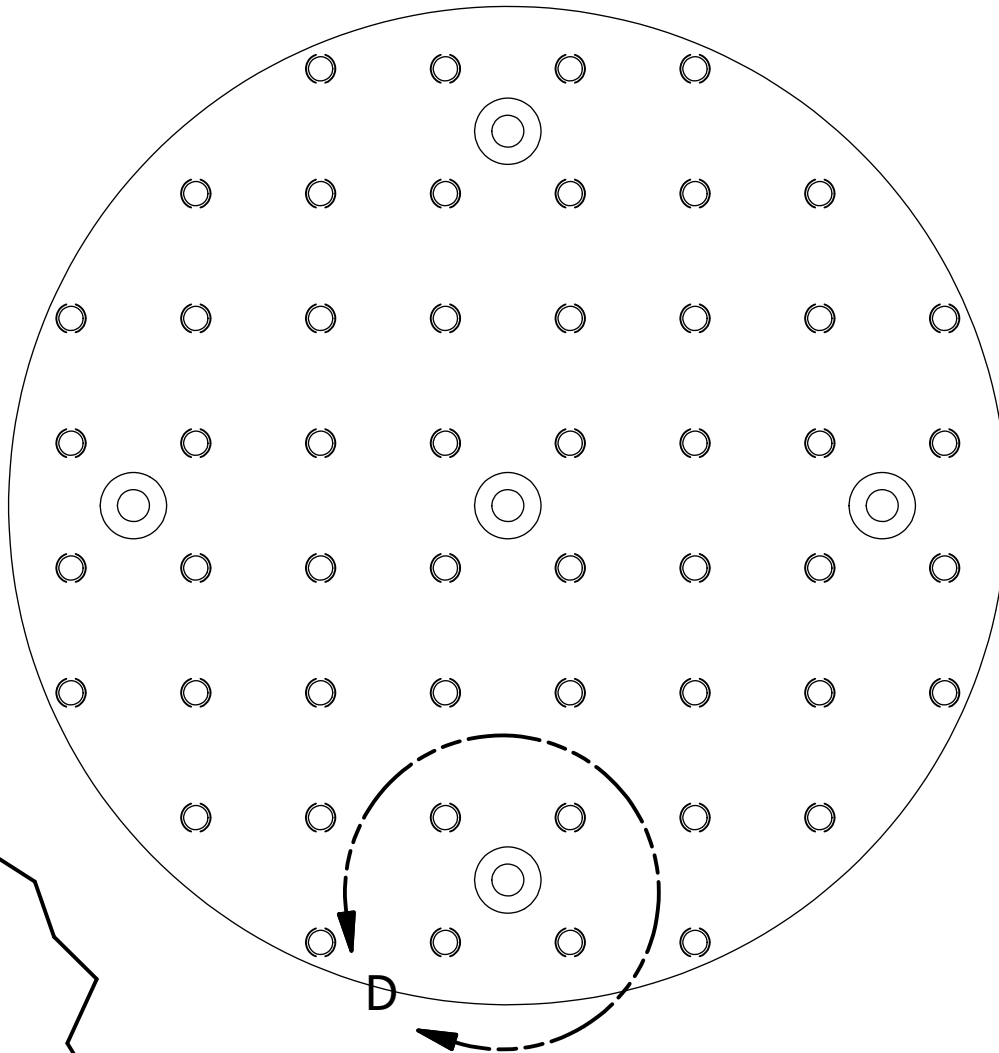
Automatic e-mail can be blocked by your browser or computer.
Download & e-mail to: sales@minitecframing.com if necessary.

DRAWING APPROVED FOR PRODUCTION BY: _____ DATE _____ APPROVED REVISE & RESUBMIT

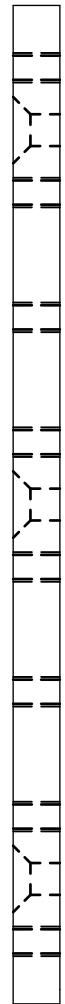
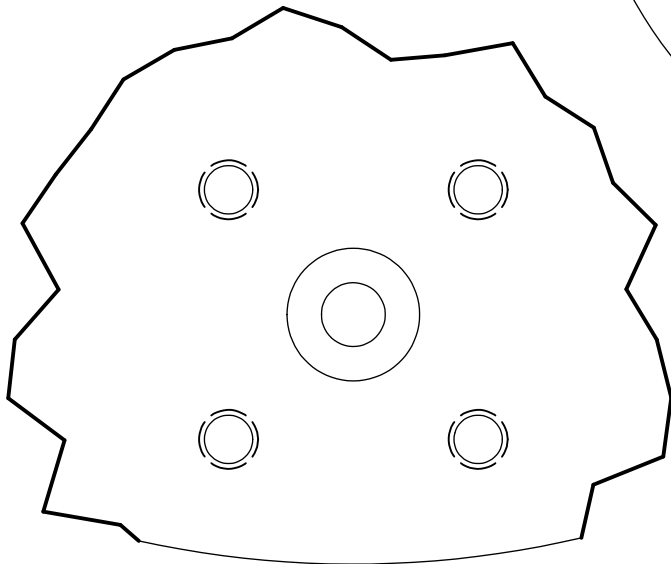
APPROVED WITH CHANGES REJECTED

PROJECT CIRCULAR BREADBOARD		 WWW.MINITECFRAMING.COM FARMINGTON, NY DIRECT # (585) 433-8404 FX # (585) 924-4821 amoles@minitecframing.com	
DRAWN BY ANDY MOLES			
DATE 10/4/2019			
DRAWN FOR MINITEC'S CUSTOMER	SALES ORDER # CIRCULAR OPTICAL BREADBOARD	DWG NO	REV
TOLERANCES UNLESS OTHERWISE NOTED .X +/- .020" .XX +/- .010" .XXX +/- .005"		MATERIAL	
FINISH		SHEET 1 OF 2	


MARK UP PLATE BELOW WITH HOLES, CUT OUTS OR OTHER REQUIREMENTS



DETAIL D
SCALE 1.30 : 1



PRE-MILL INSPECTION
 PROFILE ___ MITER ANGLE ___
 LENGTH ___ MITER DIR. ___

PROJECT CIRCULAR OPTIOAL BREADBOARD PDF REQ		 WWW.MINITECFRAMING.COM FARMINGTON, NY DIRECT # (585) 433-8404 FX # (585) 924-4821 amoles@minitecframing.com	
DRAWN BY ANDY MOLES			
DATE 10/4/2019			
DRAWN FOR MINITEC'S CUSTOMER	SALES ORDER # CIRCULAR OPTICAL BREADBOARD	DWG NO	REV
TOLERANCES UNLESS OTHERWISE NOTED .X +/- .020" .XX +/- .010" .XXX +/- .005"		MATERIAL	
		FINISH	
			SHEET 2 OF 2